

# MOEN®

## Specifications

*There is more than 1 version of this model.  
Page down to identify the version you have.*

### PRODUCT DESCRIPTION

- Battery powered, sensor activated, exposed water urinal flushometer with brass angle stop valve
- Brass construction with chrome plated finish
- Chloramine resistant seals
- 3/4" IPS inlet supply
- 3/4" top spud
- High back pressure vacuum breaker
- All flush valves are intended for use with compatible flush volume fixtures as specified by the fixture manufacturer. WaterSense® labeled flush valves should be used with a WaterSense® labeled fixture that has a compatible flush volume to ensure complete system performance.

### OPERATION

- Self-cleaning Accuset™ piston flush technology
- Mechanical override
- Adjustable infrared sensor range up to 15"
- Four (4) Alkaline AA batteries included
- Battery life: Up to 8 years\*
- Low battery indicator light
- Optional 24 hour Sentinel Flush (factory setting is off)
- Operating Pressure Range: 20-125psi


### FLOW RATE

- **8312** (1.0gpf/3.8Lpf)
- **8315** (0.5gpf/1.9Lpf) - **WaterSense® certified**
- **8316** (0.125 gpf/0.5Lpf) - **WaterSense® certified**

### STOP VALVE

- All metal 3/4" IPS vandal resistant angle stop with double o-ring connection
- Adjustable installation (left or right connection)

### STANDARDS

- Third party certified to meet: ASSE1037 / ASME A112.1037 / CSA125.37, ASME A112.19.2 / CSA B45.1 and all applicable requirements referenced therein
- BAA
- ADA 

### WARRANTY

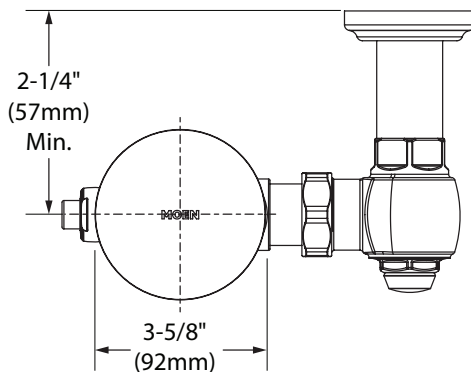
- Warranted for 5 years against material or manufacturing defects

\* Typical alkaline battery life at 130 uses per day is about 8 years



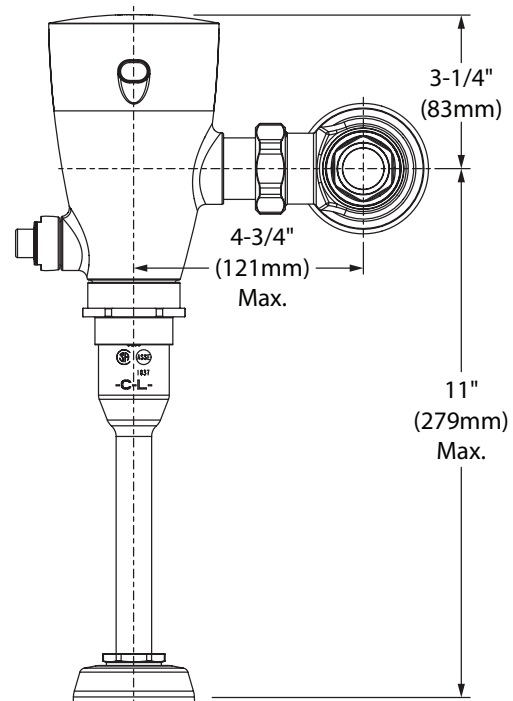
### M-POWER™ 3/4" Battery Powered Sensor Exposed Style Urinal Flush Valve

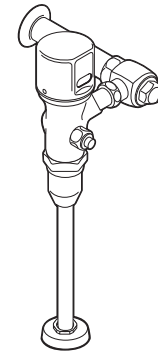
Models: 8312, 8315, 8316



### CRITICAL DIMENSIONS

(DO NOT SCALE)





## PRODUCT DESCRIPTION

- Brass construction w/chrome plated finish
- 3/4" IPS supply
- 3/4" top spud
- All flush valves are intended for use with compatible flush volume fixtures as specified by the fixture manufacturer. WaterSense® labeled flush valves should be used with a WaterSense® labeled fixture that has a compatible flush volume to ensure complete system performance.

## OPERATION

- Adjustable sensor eye
- Battery powered (4) standard AA (included)
- Average battery life 250,000 cycles
- Self-diagnostic electronics
- Piston flushing mechanism
- Self cleaning filter system
- Low battery indicator light


## FLOW

- **8312** (1.0gpf/3.8Lpf)
- **8315** (0.5gpf/1.9Lpf) - **WaterSense® certified**
- **8316** (0.125 gpf/0.5Lpf) - **WaterSense® certified**
- Operating pressures 10 to 125 psi
- 24 hour sentinel flush
- Mechanical manual override button

## STOP VALVE

- 3/4" IPS angle stop (vandal resistant)
- Adjustable installation (left or right connection)

## STANDARDS

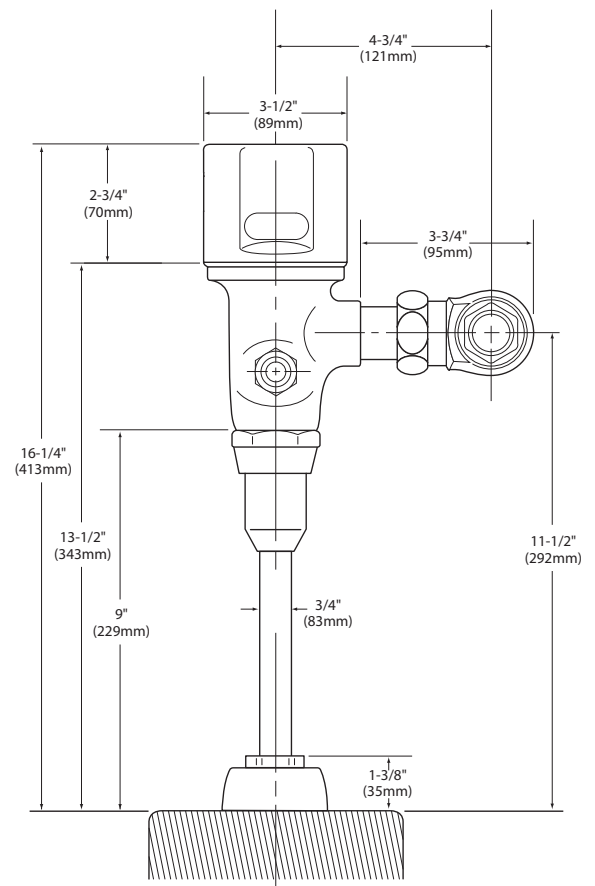
- Third party certified to meet: ASSE1037 / ASME A112.1037 / CSA125.37, ASME A112.19.2 / CSA B45.1 and all applicable requirements referenced therein
- ADA 

## WARRANTY

- Warranted for 5 years against material or manufacture defects.

## 3/4" Battery Powered Sensor Exposed Style Urinal Flush Valve

Models: 8312, 8315, 8316



## CRITICAL DIMENSIONS

(DO NOT SCALE)